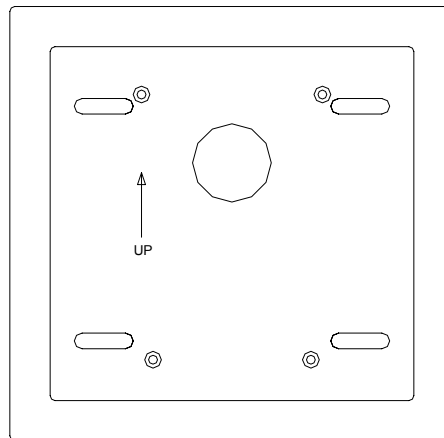




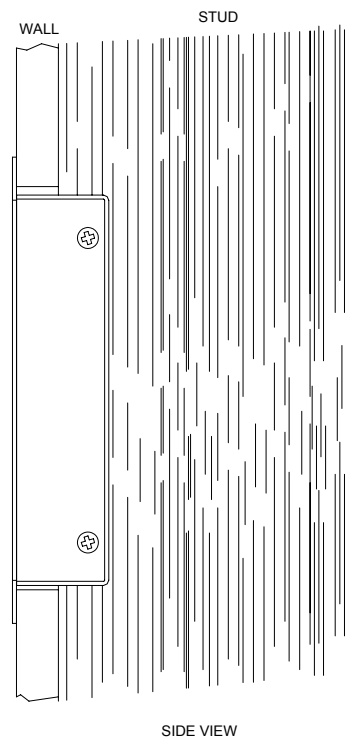
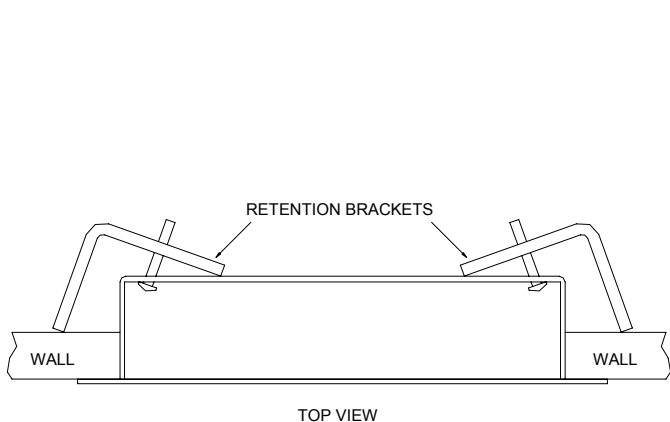
Model 33A00-3 Omni Console Flush Mount Kit

INSTALLING THE FLUSH MOUNT CONSOLE KIT

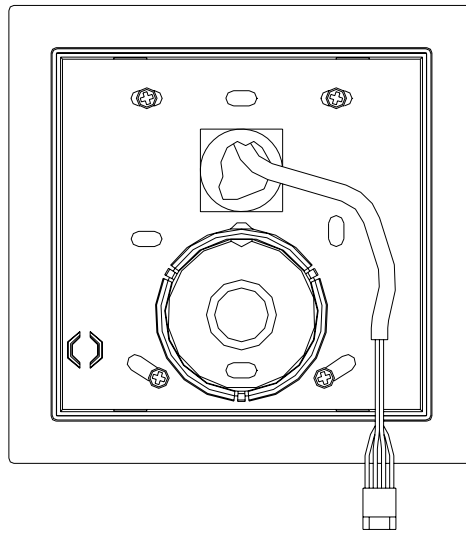
1. Place the Flush Mount back box against the wall at the desired location with the top and bottom edges level. Note the orientation in the figure.



2. Mark an outline around the base of the back box. Carefully cut along this mark. Do not over size. Check the fit of the back box into the cut-out. Resize if necessary.
3. Attach the Flush Mount Retention Brackets to the Back Box using the #8 machine screws and flat washers provided. Mount the Back Box into the cut-out as shown.



4. Alternatively, the Flush Mount Back Box can be located near and attached to a stud. See figure.
5. Attach the Console Back Housing into the Flush Mount Back Box using the #6 screws provided.



6. Wire according to the Controller installation instructions.
7. Snap the Console Front to the Console Back.