



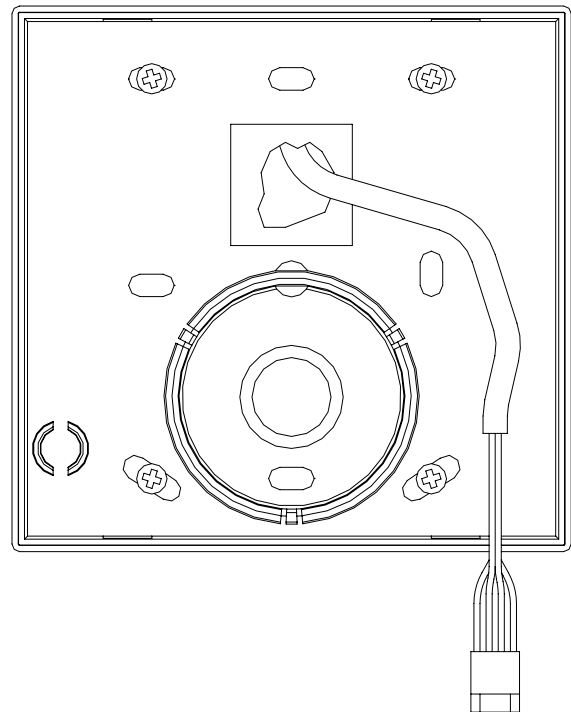
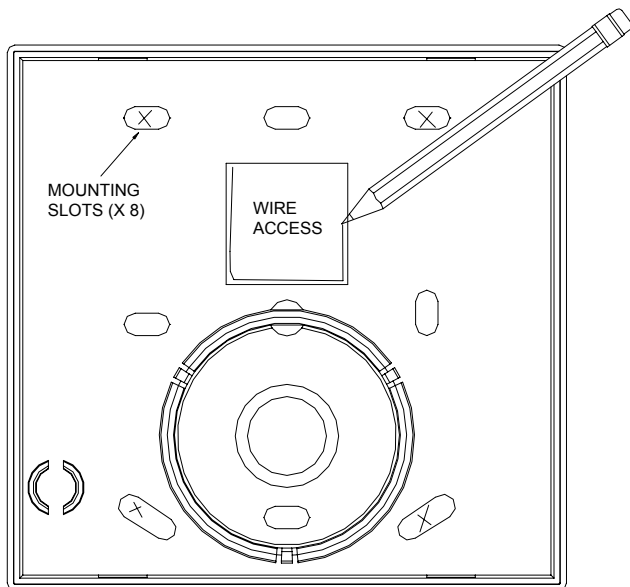
## Model 33A00-1 Omni Console

### DESCRIPTION

Follow these instructions to install the Console. See the Controller Installation Manual and Owner's Manual for wiring, programming and other important information.

### INSTALLATION

1. Unpack the Console and remove the front from the back by gently prying the unit open with a screwdriver.
2. Place the back housing against the wall at eye level so the horizontal edges are level. Make a mark on the wall at four of the mounting slots in the back housing and trace the wire access opening.
3. Drill a 3/16 diameter hole at each of the mounting hole marks and drive in a wall anchor. Drill or cut a hole in the wall for wire access.
4. Place the back housing over the wall anchors and screw it into place.
5. Attach the wire to the supplied cable assembly and plug the cable into the connector on the Console Printed Circuit Assembly. See the controller installation manual for wiring diagram.
6. Snap the front housing onto the back housing.



### SPECIFICATIONS

Size: 4.5" W x 4.5" H x .75" D  
Nominal Voltage: 10 – 13.7 VDC  
Maximum Current: 100 mA