



OMNISTAT

**ELECTRONIC COMMUNICATING THERMOSTAT**

## **Installation Manual**

# **RC-112 Two Speed Heat Pump**

**3 Stage Heat / 2 Stage Cool  
With Energy Efficient Control**

**Document Number 13I00-5  
November, 1997**

# CONTENTS

<b>APPLICATION</b>	<b>1</b>
<b>INSTALLATION</b>	<b>1</b>
<b>LOCATION</b>	<b>2</b>
<b>REMOVING AN EXISTING THERMOSTAT</b>	<b>2</b>
<b>MOUNTING</b>	<b>3</b>
<b>WIRING DIAGRAMS</b>	<b>6</b>
<b>DISABLE KEYS</b>	<b>8</b>
<b>POWER UP</b>	<b>9</b>
<b>INSTALLER SETUP</b>	<b>10</b>
<b>OWNER'S MANUAL</b>	<b>15</b>
<b>QUICK REFERENCE SETUP GUIDE</b>	<b>16</b>
<b>REMOTE SYSTEM WIRING DIAGRAMS</b>	<b>17</b>
<b>TROUBLESHOOTING TIPS</b>	<b>19</b>

**Copyright © 1997 Home Automation, Inc.  
All Rights Reserved**

## **APPLICATION**

This RC-112 thermostat is applicable to heat pumps with two stages of heating and cooling, plus a third stage of heating called "auxiliary" heating. The heat pump may have a two speed compressor (low and high speeds), two compressors (stage 1 and stage 2) or a "superheater" or other device as the second stage. In normal operation, stage 1 and 2 (or low and high speed) will be used as required to maintain the set temperature. In heating mode, the auxiliary heating will only be used if the heat pump cannot maintain a rate of temperature rise with both stages running (high speed).

The RC-112 is capable of being controlled both locally and by remote control. It offers programmability, stand alone operation, and robust, optically isolated communications with automation systems, utility control systems, and personal computers.

Electrical rating: 24 V; 3 A; 50/60 Hz

Maximum current: 2 A on any circuit, 3 A total

Thermostat operating current: less than 15 mA

The following requirements must be observed for installation in Europe: CE

1. This equipment must be installed in accordance with National wiring rules for the country in which it is installed.
2. Fuses must be replaced only with IEC rated components.
3. All product labels, instructions and markings relating to safety must be translated to a language which is acceptable in the country in which this equipment is to be installed.

## **INSTALLATION**

Before installing this thermostat:

1. Read all of the installation instructions carefully.
2. Read the Owner's Manual carefully.

3. Ensure that this product is suitable for your application.
4. Ensure that wiring complies with all codes and ordinances.
5. Disconnect power to the control transformer to prevent electrical shock and damage to equipment.
6. Select an appropriate location to ensure an accurate temperature reading.

## **LOCATION**

When replacing an existing thermostat, install the RC-112 in the same location. If the existing location doesn't meet the following criteria, choose a new location to mount the RC-112.

When choosing a location for the thermostat:

1. Ensure that the thermostat is mounted about 5 feet above the floor and is at least 2 feet from an outdoor wall.
2. Ensure that the thermostat is located in an area where there is adequate air circulation.
3. Do not mount in the path of direct sunlight or of radiant heat generated by appliances.
4. Do not mount behind an outdoor wall, near a fireplace, or in the path of any air ducts.

## **REMOVING AN EXISTING THERMOSTAT**

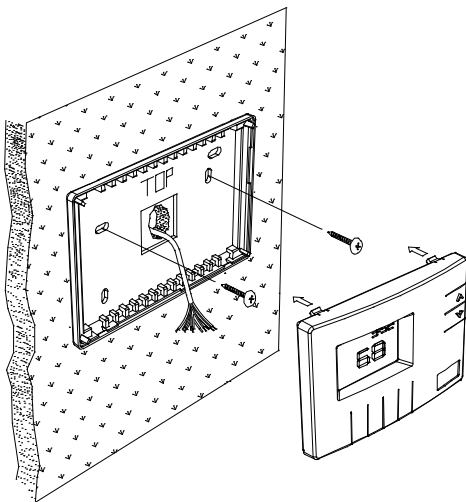
1. Disconnect the power to the control transformer.
2. Remove the cover to the existing thermostat.
3. Disconnect the wires going to each terminal on the thermostat. Label each wire with the letter or number at the terminal.
4. Remove the existing plate or base from the wall.

## MOUNTING

When mounting the RC-112, grasp the thermostat by the sides, avoiding the keys, and unsnap the base from the face.

Holding the base to the wall so that the word "TOP" is upright and facing you:

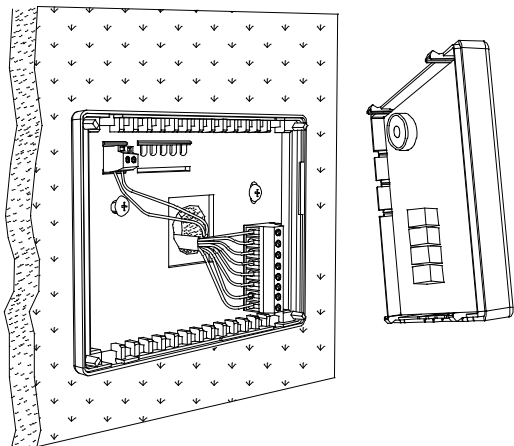
1. Mark the two mounting holes on the wall using a pencil.
2. Drill a hole using a 3/16" bit at each mounting hole marking.
3. Install the two wall anchors supplied.
4. Slide the system wires through the opening in the base.
5. Mount the base to the wall using the two #6 x 1/2" self-tapping screws supplied - See *Figure 1*.



**Figure 1** - *Mounting thermostat base*

Connect each wire to the terminal strip on the thermostat base per the wiring diagram for your system application - **See Figures 4 - 5.**

Form the thermostat wiring so that the cable lies flat between the terminal strip and the center of the thermostat base - **See Figure 2.**

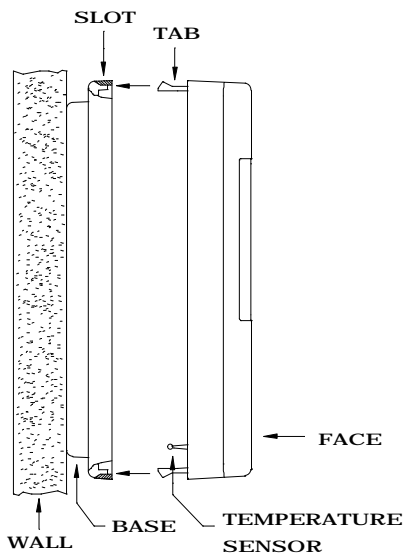


**Figure 2 - Forming thermostat wiring**

If a remote system is being used with the thermostat, connect the remote system wiring to the supplied cable using the wire splices per the diagram for your remote system application - **See Figures 6 - 7.** Insert the cable into the connector on the thermostat circuit board marked "COMM".

Upon completion of wiring the thermostat, push all excess wiring into the hole in the wall. Plug the hole with the supplied insulating foam to ensure an accurate temperature reading by the thermostat.

Align the tabs of the thermostat face with the slots of the thermostat base. Gently push the thermostat face into the thermostat base locking it into place - *See Figure 3.*



**Figure 3 - Mounting thermostat face to thermostat base**

**Note:**

Be sure that the thermostat temperature sensor is standing up, and that it has not been damaged during installation.

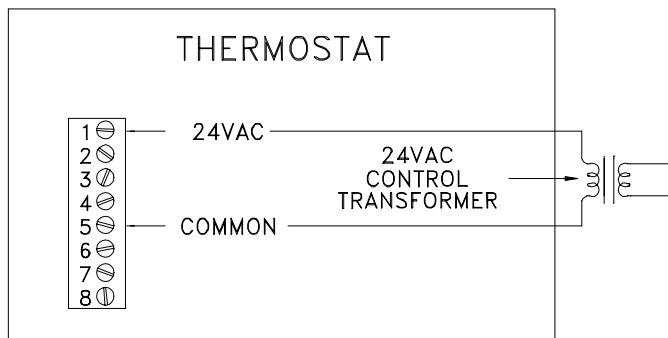
## WIRING DIAGRAMS



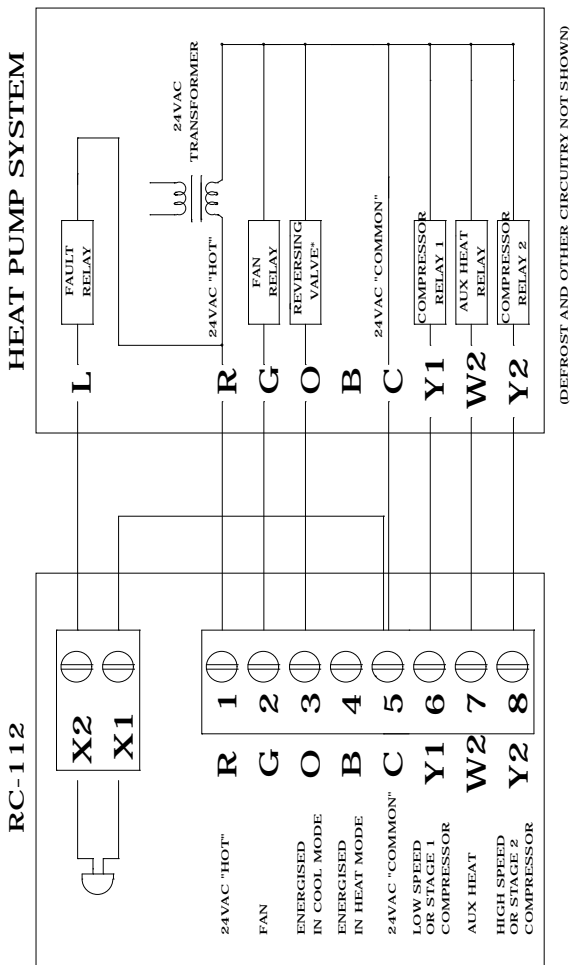
### CAUTION

---

1. Be sure to disconnect the power to the control transformer before removing or installing thermostat.
2. Do not short compressor relay, reversing relay, aux heat relay, fan relay or fault relay... even momentarily. This will blow the thermostat fuse and could cause damage.
3. Do not attempt to hook up to live circuits. An accidental connection to a component on the thermostat circuit board could cause damage to the thermostat.



**Figure 4 - Thermostat power-up for test or demonstration purposes**



**Figure 5**

**Note:** When the RC-112 calls for both stages (or high speed on a two speed heat pump), **both** compressor outputs Y1 and Y2 are energized.

## NOTES

- 1) "O" Terminal is energized for cooling  
"B" Terminal is energized for heating

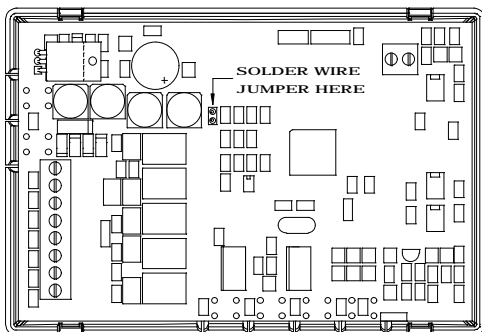
In most applications, the reversing valve is energized for cooling and should be connected to the "O" terminal. If the heat pump requires the reversing valve to be energized for heating, connect the reversing valve to the "B" terminal.

- 2) "X1" and "X2" are connected to a 24VAC Red LED, most often used to indicate a fault with the heat pump compressor.
- 3) The Emergency Heat Relay (E Terminal) and outdoor thermostats (usually accessories to a heat pump), are not used. The RC-112 automatically controls auxiliary heat efficiently.

The RC-112 requires at least 1 stage of auxiliary heat enabled at all times. If the heat pump is equipped with an outdoor thermostat, it should be removed from the auxiliary heat circuit, or reconfigured so that it can only disable 2nd and 3rd stage of auxiliary heat.

## DISABLE KEYS

The keys on the thermostat can be disabled to prevent anyone from controlling the thermostat locally. To disable the keys, solder a wire jumper across the two holes on the circuit board as shown below.



## POWER UP

1. Double check wiring, be sure that there are no stray wires or wire strands at the connections.
2. It is not necessary to connect the remote system (COMM) cable at this time.
3. Connect power to the control transformer and system. The display will show all segments for about 5 seconds.
4. Press the Fan key. The fan should come on. Press the Fan key again. The fan should go off.
5. Set the Mode to "HEAT". Use the up arrow key to raise the heat setting 1 degree above the current temperature. Stage 1 should start in heating mode. Raise the setpoint several degrees above the current temperature. Both stages should come on. After a few minutes, set the mode to "EM HEAT". The heat pump should stop and the auxiliary heating should come on. Set the mode to OFF. Ensure that both the heat pump and auxiliary heat go off.
6. Set the Mode to "COOL". Use the down arrow key to lower the cool setting 1 degree below the current temperature. Stage 1 should start in cooling mode. Lower the setpoint several degrees below the current temperature. Both stages should come on. Set the mode to "OFF". Ensure that the cooling unit goes off.

**Note:** As a convenience to the installer, the compressor start up protection delay can be canceled. To cancel the delay, press the Prog key 3 times, then press the Fan key 2 times.

If the thermostat or system do not perform as stated above, recheck all wiring - **See *Troubleshooting Tips***.

## INSTALLER SETUP

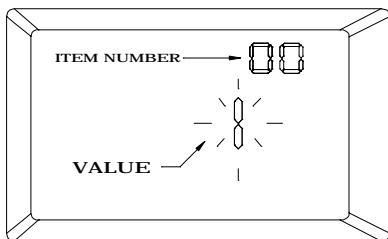
This section describes the items that the installer must setup as part of the thermostat installation. The Installer Setup mode is used to configure the general operating parameters of the thermostat.

When in Installer Setup mode:

1. The small digits on the top of the display are the item number.
2. The large blinking digits in the center of the display are the value of the item number.
3. Press the Prog (>) key to advance to the next item.
4. Press the Hold (<) key to return to the previous item.
5. Use the arrow keys (^-v) to change the value of each item.
6. Do not set the values to anything other than the specified range for each item.
7. To exit Setup mode, press the Fan key.

*The thermostat will automatically exit Setup mode after 20 seconds of no key activity.*

To enter the Installer Setup, set Mode to "OFF". After 10 seconds, press the Prog key three times (day will flash), then press the Fan key.



*The word "default" indicates the initial setting when the thermostat is delivered from the factory.*

## **00 Address**

If you are using Communications Mode 0 or 1, and you are installing more than one thermostat, each must be set to a consecutive address, starting at 1. The default address setting is 1.

An address from 1- 127 may be selected.

## **01 Communications mode**

The thermostat can communicate with remote systems in 4 different modes. These modes are:

- 0 300 baud, RS-232 mode (for use with personal computers)
- 1 100 baud, System mode (Omni, OmniPro, and Aegis systems)
- 24 Day/Night mode (for use with remote setback switch)

The default setting is 1.

## **02 System options**

The thermostat can be configured with the following system options:

WITH EEC	NO EEC*		
0	8	Auto changeover	no fan with heat
1	9	Auto changeover	fan on with heat
4	12	Manual changeover	no fan with heat
5	13	Manual changeover	fan on with heat

\* Energy Efficient Control (EEC) of Auxiliary Heat: Select 0, 1, 4, 5 to enable EEC, or 8, 9, 12, 13 to disable EEC display. See Owner's Manual for description of EEC.

The default setting is 1.

In most heat pump installations, the auxiliary heat is electric resistance heat and the Energy Efficient Control (EEC) should be turned on (settings 0, 1, 4, 5). If the heat pump is equipped with a more efficient auxiliary heat, such as hot water supplied by a gas water heater, you may want to turn EEC off (settings 8, 9, 12, 13). The thermostat will act like a conventional 3 stage thermostat in heating mode.

### 03 Display options

The thermostat can be configured to display the following attributes:

0	Celsius	am/pm time format	programmable
1	Fahrenheit	am/pm time format	programmable
2	Celsius	24 hour time format	programmable
3	Fahrenheit	24 hour time format	programmable
4	Celsius	am/pm time format	non-programmable
5	Fahrenheit	am/pm time format	non-programmable
6	Celsius	24 hour time format	non-programmable
7	Fahrenheit	24 hour time format	non-programmable

The default setting is 1.

Add 16 to each setting to disable the clock and filter reminder displays. This may be appropriate for non-programmable and commercial use where the time display is not desired.

### 04 Calibration offset

This item is used to raise or lower the current temperature reading by 1 degree Fahrenheit or 1/2 degree Celsius. If this item is set to 30, no change will be made. Each digit below 30 will lower the temperature, and each digit above 30 will raise the temperature.

(1 = - 29 to 59 = + 29 - Temperature units - 30 = No change)

The default setting is 30.

## **05 Cool setpoint limit**

This item is used to limit the temperature setting in cool mode. The desired cool setting can never be set below this setting.

The default setting is 51.

## **06 Heat setpoint limit**

This item is used to limit the temperature setting in heat mode. The desired heat setting can never be set above this setting.

The default setting is 91.

## **07 Not used**

## **08 Not used**

## **09 Not Used**

## **10 Stage 2 differential**

This item specifies the temperature difference between stage 1 (or low speed) heat pump operation and stage 2 (or high speed) heat pump operation. The default setting of 1 (degree F) is recommended for most applications. If energy efficiency is more important than precise temperature control, this can be raised to 2 or 3 degrees. This setting affects stage 2 operation for both heating and cooling.

In this thermostat, the automatic anticipator will compensate for the temperature "droop" caused by the stage 2 differential under cold weather conditions.

The default setting is 1.

## **11 Cooling minimum on/off time (minutes)**

This item is used to limit the on and off times of the cooling system. When the cooling system starts, it must remain on for the minimum time set by this item. When the cooling system turns off, it must remain off for a minimum time set by this item.

<u>Setting</u>	<u>Cycles per hour (maximum)</u>
5	6
6	5
7	4
8	3.7
10	3

The recommended setting is 8 minutes. A higher setting may be appropriate for buildings with low heat loss/gain.

The default setting is 8.

### **12 Heating minimum on/off time (minutes)**

Same as Cooling minimum on/off time, for the heating system.

The default setting is 8.

### **13 Auxiliary heat differential**

This item specifies the temperature difference between stage 1 and the auxiliary heat in heating mode. The default setting if 2 degrees F is suitable for most applications. Note that auxiliary heat is also subject to control by the EEC routines, which will prevent the use of auxiliary heating if the heat pump is able to provide a sufficient heating rate. If energy efficiency is more important than precise temperature control, this can be raised to 3 or 4.

The default setting is 2.

### **14 Clock adjust**

If the clock on the thermostat is running faster or slower than the actual time, you can have the thermostat automatically compensate up to 29 seconds per day. The thermostat will add or subtract the selected amount of time daily.

(1 = - 29 to 59 = + 29 - Seconds per day - 30 = No change)

The default setting is 30.

**Note:** If an HAI automation system is being used, the controller system time is sent to the thermostat every minute. This adjustment will have no effect.

## **15 Filter reminder**

The thermostat logs the amount of time the system fan has been running. When this setting reaches 0, the thermostat will display a reminder to replace the filter. The setting is the amount of days (24 hours of system operation) before this reminder is displayed.

Days - Counting down from 10 - 0

The filter reminder can be disabled by setting this item to 60.

## **16 System runtime (This week)**

This item logs the amount of time (hours) that the heating and cooling system was in operation this week.

## **17 System runtime (Last week)**

This item logs the amount of time (hours) that the heating and cooling system was in operation last week.

## **ANTICIPATION**

RC-112 anticipation is performed electronically and is independent of the type and load of the components in the heating and cooling equipment. The RC-112 has electronic control based on proportional, integral and derivative components and maintains temperature to within 1 degree F. of the setting. Anticipation is not adjustable on the RC-112.

## **OWNER'S MANUAL**

Following Installer Setup, check the option boxes () in the Owner's Manual according to the configuration of the thermostat.

## QUICK-REFERENCE SETUP GUIDE

This table displays each Installer Setup item with its default setting. The column labeled "CURRENT" can be used to write down the current settings if any changes are made to the default settings.

<b>Item Number</b>	<b>Description</b>	<b>Default</b>	<b>Current</b>
00	Address	1	
01	Communication mode	1	
02	System options	1	
03	Display options	1	
04	Calibration offset	30	
05	Cool setpoint limit	51	
06	Heat setpoint limit	91	
07	Not used	-	
08	Not used	-	
09	Not used	-	
10	Stage 2 differential	1	
11	Cooling minimum on/off time	8	
12	Heating minimum on/off time	8	
13	Auxiliary heat differential	2	
14	Clock adjust	30	
15	Filter reminder	10	
16	System runtime (This week)	-	
17	System runtime (Last week)	-	



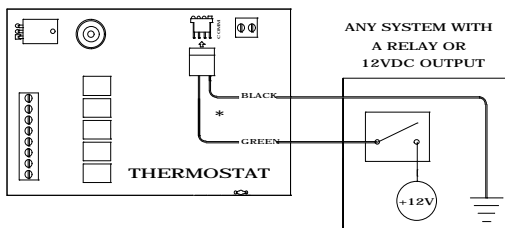
### Figure 6 - Hookup to an HAI system

Additional thermostats are connected in parallel. They may be connected in home-run or daisy chain configuration.

## REMOTE DAY/NIGHT SETBACK SWITCHES

The thermostat can be connected to a remote system or remote switch. A signal can be sent from the remote location to change the thermostat temperature settings from the "DAY" setting to the "NIGHT" setting. To use this mode, setup item 01 - "Communications mode" must be set to 24.

Run a two conductor wire from the remote system or remote switch to the thermostat location. Make the connections using supplied wire splices - See Figure 7.



\* Red and yellow wires are not used.  
Insulate each using a small piece of tape.

### Figure 7 - Hookup to remote Day/Night setback switch

## OTHER SYSTEMS

For connections to personal computers, utility management systems, and other automation systems, refer to connection diagrams provided with personal computer software package or other system.

## TROUBLESHOOTING TIPS

<b>SYMPTOM</b>	<b>ACTION TO TAKE</b>
Thermostat Dead	1. Check power to the thermostat
	2. Check wiring diagrams
	3. Check thermostat temperature sensor
	4. Check thermostat fuse
Thermostat will not operate with a damaged temperature sensor	
<b>SYMPTOM</b>	<b>ACTION TO TAKE</b>
Fan, Heat, Or Cool Inoperative	1. Check for break in G, W, or Y wire
	2. Allow minimum off time to pass
	3. Check system options for correct settings
To reset the minimum off time, press the Prog key three times, then the Fan key twice.	
<b>SYMPTOM</b>	<b>ACTION TO TAKE</b>
Can't Adjust Temperature	1. Mode is Off (Select Heat, Cool, or Auto)
	2. Check if thermostat keys are disabled
To enable thermostat keys for test, remove jumper	
<b>SYMPTOM</b>	<b>ACTION TO TAKE</b>
Control By Remote System Not Working	1. Check COMM connector and wiring
	2. Check thermostat address setting
	3. Check communications mode setting
	4. Check setup of the remote system
Ensure that all setup items for the thermostat and the remote system are set to the proper configurations for communication	

<b>SYMPTOM</b>	<b>ACTION TO TAKE</b>
Temperature Reading Incorrect	1. Allow 30 minutes for thermostat to adjust to room temperature
	2. Adjust calibration offset
	3. Change setup option to display °F or °C
After installation, allow the thermostat up to 30 minutes for an accurate temperature reading	
<b>SYMPTOM</b>	<b>ACTION TO TAKE</b>
Display Problem	1. Disconnect power to the thermostat. Reconnect, then observe display self-test
For a 5 second period after power is reconnected, all segments of the display should light indicating all thermostat functions	
<b>SYMPTOM</b>	<b>ACTION TO TAKE</b>
Aux Heat On Too Often	1. Heat Pump is not able to meet load due to cold weather
	2. Thermostat is in EM Heat mode - Set thermostat to Heat or Auto mode
In EM Heat mode, the auxiliary heat is turned on.	
<b>SYMPTOM</b>	<b>ACTION TO TAKE</b>
Heat Pump Heats In Cool Mode & Cools In Heat Mode	1. Reversing valve is connected to wrong terminal - move wire from B to O or from O to B
The wires connecting the reversing valve may be reversed (See Note 1 - Page 8)	
<b>SYMPTOM</b>	<b>ACTION TO TAKE</b>
No Auxiliary OR Emergency Heat	1. See if heat pump is equipped with outdoor thermostat. If so, disconnect it.
Heat pump may be equipped with an outdoor thermostat which is overriding Aux Heat when outdoor temperature is above certain level - Disconnect the outdoor thermostat, the RC-112 controls the aux heat automatically	